

VG-6W Series



6W 2:1 Regulated Single & Dual output

Features

- Wide 2:1 Input Range
- Full SMD Technology
- 1500 VDC Isolation, Up to 3500 VDC
- Continuous Short Circuit Protection
- Efficiency up to 83%
- -40 ~ 85°C Operation Temperature Range
- Metal Case Standard, Optional Plastic Case



The VG series is a family of cost effective 6W single & dual output DC-DC converters. These converters are consisted with Nickel-coated copper in a 24-pin DIL package with high performance features such as 1500 VDC ~ 3500VDC input/output isolation voltage, continuous short circuit protection with automatic restart and tight line / load regulation. Devices are encapsulated using flame retardant resin. Input voltages of 12, 24 and 48 with output voltage of 3.3, 5, 9, 12, 15, 24, ± 3.3 , ± 5 , ± 9 , ± 12 , ± 15 and ± 24 Vdc. High performance features include high efficiency operation up to 83% and output voltage accuracy of $\pm 1\%$ maximum.

All specifications typical at $T_a = 25^\circ\text{C}$, nominal input voltage and full load unless otherwise specified

OUTPUT SPECIFICATIONS	
Voltage accuracy	$\pm 1\%$
Line regulation	$\pm 0.5\%$
Load regulation	$\pm 0.5\%$
	(Output 3.3V / ± 3.3 V Model) $\pm 1.5\%$
Ripple & noise (20 MHz bandwidth)(1)	60mV pk-pk
Short circuit protection	Indefinite (Automatic Recovery)
Temperature coefficient	$\pm 0.02\% / ^\circ\text{C}$
Capacitor load(2)	See table

INPUT SPECIFICATIONS	
Voltage Range	See table
Max. Input Current	See table
No-Load Input Current	See table
Input Filter	PI Type
Input Reflected Ripple Current(3)	35mA pk-pk

GENERAL SPECIFICATIONS	
Efficiency	See table, typ.
I/O Isolation Voltage(3 sec)	
Input/Output	1500~3500Vdc
Metal Case/Input & Output	1000Vdc
I/O Isolation Capacitance	470 pF, typ.
I/O Isolation Resistance	1000M Ohm
Switching Frequency	266kHz, typ.
Humidity	95% rel H
Reliability Calculated MTBF(MIL-HDBK-217 F)	>1.121 Mhrs
Safety Standard : (designed to meet)	IEC 60950-1

PHYSICAL SPECIFICATIONS	
Case Material	Nickel-coated Copper
	Non-conductive Black Plastic(UL94V-0 rated)
Base Material	Non-conductive Black Plastic(UL94V-0 rated)
Pin Material	$\varnothing 0.5\text{mm}$ Brass Solder-coated
Potting Material	Epoxy (UL94V-0 rated)
Weight	17.0g(Metal Case)/13.5g(Plastic Case)
Dimensions	1.25"x0.8"x0.4"

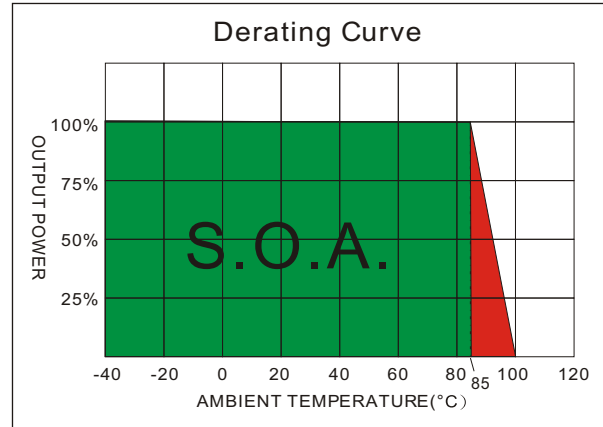
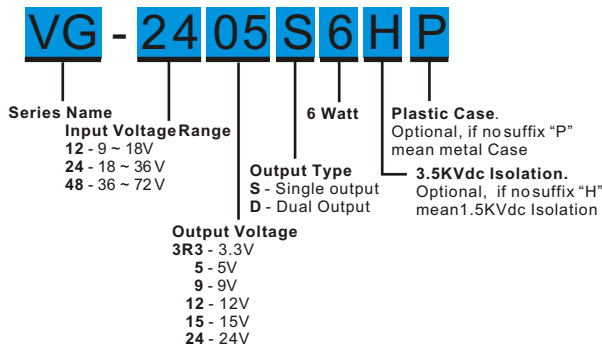
ENVIRONMENT SPECIFICATIONS	
Operating Temperature	$-40^\circ\text{C} \sim 85^\circ\text{C}$ (See Derating Curve)
Maximum Case Temperature	100°C
Storage Temperature	$-40^\circ\text{C} \sim 125^\circ\text{C}$
Cooling	Nature Convection

ABSOLUTE MAXIMUM RATINGS(4)	
These are stress ratings. Exposure of devices to any of these conditions may adversely affect long-term reliability.	
Input Surge Voltage(100mS)	
12 Models	24 Vdc, max.
24 Models	40 Vdc, max.
48 Models	80 Vdc, max.
Soldering Temperature (1.5mm from case 10sec.max.)	260°C, max.

The information and specifications contained in this data sheet are believed to be correct at time of publication. However, MOTIEN Technologies accepts no responsibility for consequences arising from printing errors or inaccuracies. Specifications are subject to change without notice. No rights under any patent accompany the sale of any such product(s) or information contained herein.

VG - 6W 2:1 Regulated Single & Dual output

PART NUMBER STRUCTURE



MODEL SELECTION GUIDE

MODEL NUMBER	INPUT Voltage Range (Vdc)	INPUT Current		OUTPUT Voltage (Vdc)	OUTPUT Current		EFFICIENCY @FL(%)	Capacitor Load(uF)
		No-Load (mA)	Full Load (mA)		Min. load (mA)	Full load (mA)		
VG-123R3S6	9-18	30	527	3.3	0	1400	73	1000
VG-1205S6	9-18	30	649	5	0	1200	77	1000
VG-1209S6	9-18	30	641	9	0	666	78	680
VG-1212S6	9-18	30	617	12	0	500	81	330
VG-1215S6	9-18	30	625	15	0	400	80	220
VG-1224S6	9-18	30	625	24	0	250	80	68
VG-123R3D6	9-18	30	527	±3.3	0	±909	73	±680
VG-1205D6	9-18	30	649	±5	0	±600	77	±330
VG-1209D6	9-18	30	625	±9	0	±333	80	±220
VG-1212D6	9-18	30	625	±12	0	±250	80	±100
VG-1215D6	9-18	30	632	±15	0	±200	79	±47
VG-1224D6	9-18	30	625	±24	0	±125	80	±33
VG-243R3S6	18-36	20	256	3.3	0	1400	75	1000
VG-2405S6	18-36	20	313	5	0	1200	80	1000
VG-2409S6	18-36	20	304	9	0	666	82	680
VG-2412S6	18-36	20	313	12	0	500	80	330
VG-2415S6	18-36	20	304	15	0	400	82	220
VG-2424S6	18-36	20	305	24	0	250	82	68
VG-243R3D6	18-36	20	333	±3.3	0	±909	75	±680
VG-2405D6	18-36	20	321	±5	0	±600	78	±330
VG-2409D6	18-36	20	301	±9	0	±333	83	±220
VG-2412D6	18-36	20	312	±12	0	±250	80	±100
VG-2415D6	18-36	20	312	±15	0	±200	80	±47
VG-2424D6	18-36	20	312	±24	0	±125	80	±33
VG-483R3S6	36-72	12	128	3.3	0	1400	75	1000
VG-4805S6	36-72	12	156	5	0	1200	80	1000
VG-4809S6	36-72	12	152	9	0	666	82	680
VG-4812S6	36-72	12	156	12	0	500	80	330
VG-4815S6	36-72	12	151	15	0	400	83	220
VG-4824S6	36-72	12	151	24	0	250	83	68

Suffix "H" means 3.5KVdc isolation

Suffix "P" means Plastic case instead of standard Metal Case

VG - 6W 2:1 Regulated Single & Dual output

MODEL NUMBER	INPUT Voltage Range (Vdc)	INPUT Current		OUTPUT Voltage (Vdc)	OUTPUT Current		EFFICIENCY @FL(%)	Capacitor Load(uF)
		No-Load (mA)	Full Load (mA)		Min. load (mA)	Full load (mA)		
VG-483R3D6	36-72	12	171	±3.3	0	±909	73	±680
VG-4805D6	36-72	12	158	±5	0	±600	79	±330
VG-4809D6	36-72	12	158	±9	0	±333	79	±220
VG-4812D6	36-72	12	156	±12	0	±250	80	±100
VG-4815D6	36-72	12	156	±15	0	±200	80	±47
VG-4824D6	36-72	12	156	±24	0	±125	80	±33

Suffix "H" means 3.5KVdc isolation

Suffix "P" means Plastic case instead of standard Metal Case

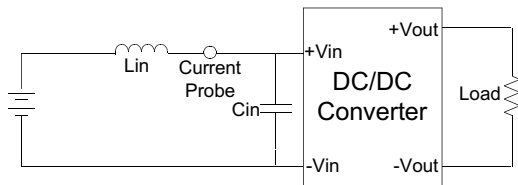
NOTE

1. Ripple/Noise measured with a 1uF ceramic capacitor.
2. Test by nominal input voltage and constant resistor load.
3. Measured Input reflected ripple current with a simulated source inductance of 12uH.
4. Exceeding the absolute ratings of the unit could cause damage. It is not allowed for continuous operating.

TEST CONFIGURATIONS

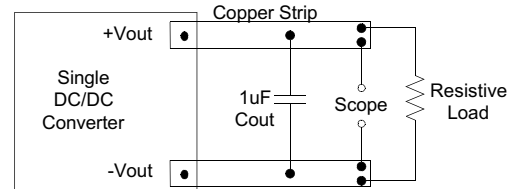
Input Reflected Ripple Current Test Step

Input reflected ripple current is measured through a source inductor L_{in} (12uH) and a source capacitor C_{in} (47uF, ESR<1.0Ω at 100KHz) at nominal input and full load.

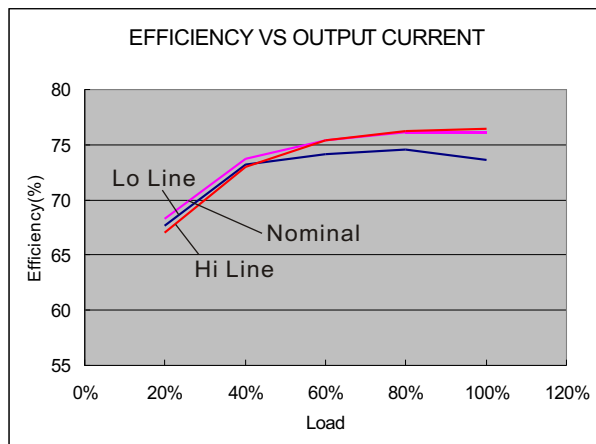


Output Ripple & Noise Measurement Test

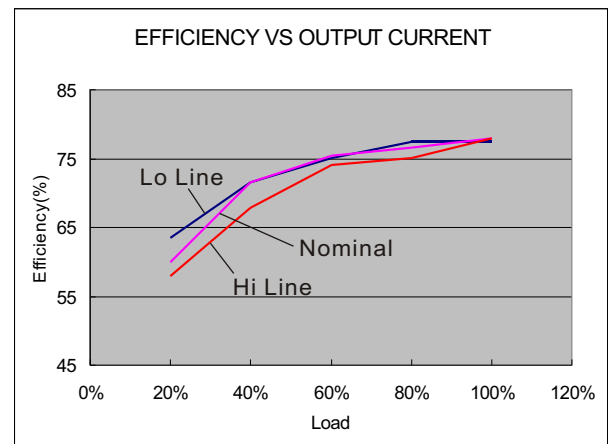
Use a capacitor C_{out} (1.0uF) measurement. The Scope measurement bandwidth is 0-20MHz.



ELECTRICAL CHARACTERISTIC CURVES

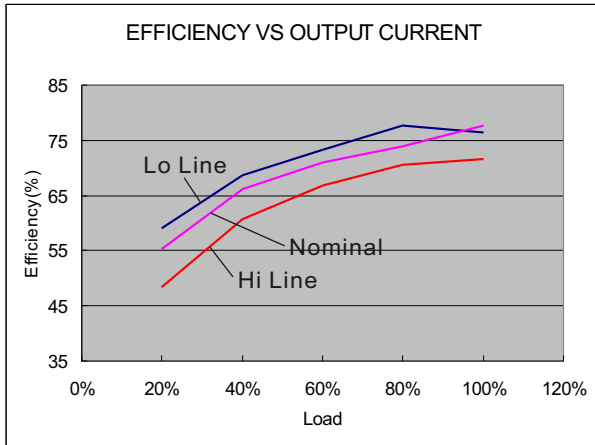


12 Models



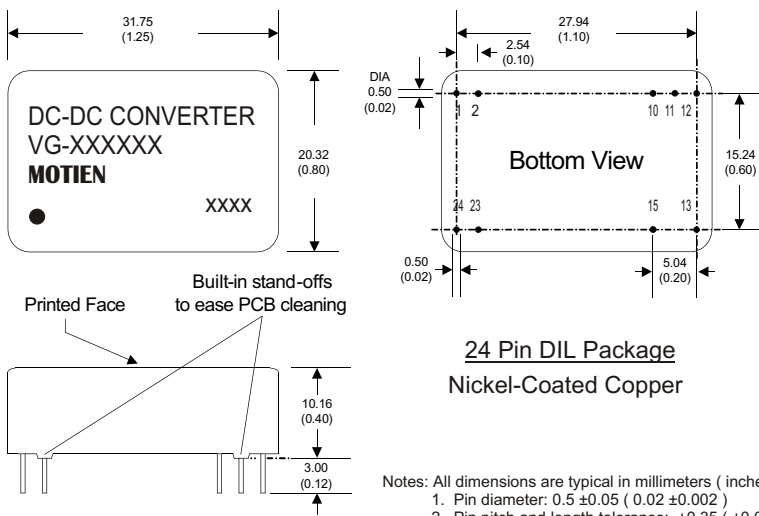
24 Models

VG - 6W 2:1 Regulated Single & Dual output



48 Models

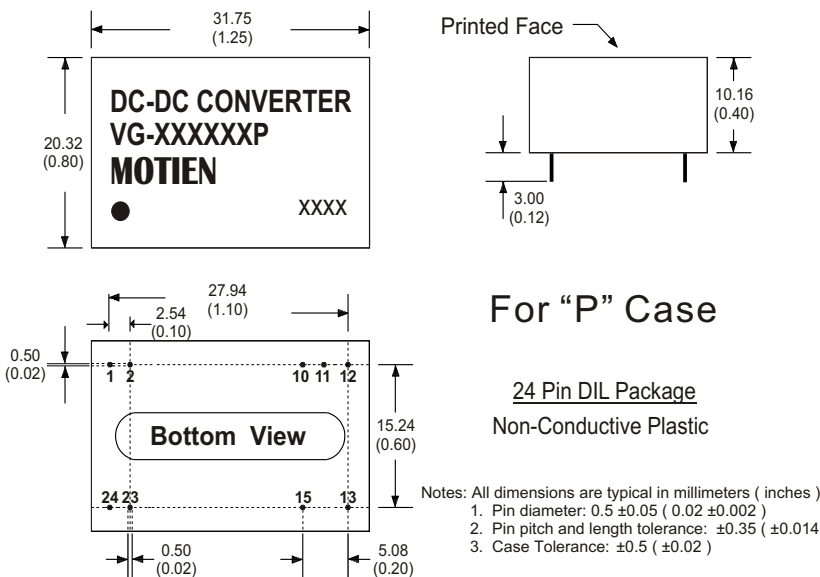
MECHANICAL SPECIFICATIONS



PIN CONNECTIONS		
PIN NUMBER	SINGLE	DUAL
1	+V Input	+V Input
2	+V Input	+V Input
10	N.C.	Common
11	N.C.	Common
12	-V Output	N.C.
13	+V Output	-V Output
15	N.C.	+V Output
23	-V Input	-V Input
24	-V Input	-V Input

(The Pin Connection of high isolation one is the same with normal one.)

MECHANICAL SPECIFICATIONS



PIN CONNECTIONS		
PIN NUMBER	SINGLE	DUAL
1	+V Input	+V Input
2	+V Input	+V Input
10	N.C.	Common
11	N.C.	Common
12	-V Output	N.C.
13	+V Output	-V Output
15	N.C.	+V Output
23	-V Input	-V Input
24	-V Input	-V Input

(The Pin Connection of high isolation one is the same with normal one.)